

## EC-48 Servo drive 0,65 Nm



### Product news

#### Servo Drive EC-48

The economic and compact servo drive EC-48 is designed for S2-mode at 48VDC.

The electronic and the motor of the servo drive EC-48 are integrated in an aluminium case.

A resolver system in the EC-48 causes a constant torque from standstill to the max. speed.

Very fast commissioning because of the optimized electronics and drive components.

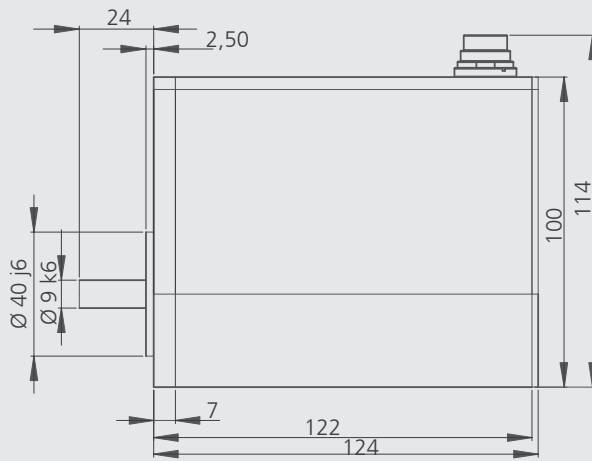
The application field of the EC-48 is for complex tasks in dynamic automation technology as on packaging, handling units etc.

The servo drive is delivered with an CAN bus interface. Optionally, is digital in and analog I/O.

#### Performances

- Torque up to 0,65 Nm
- 48 V DC voltage
- Temperature range of 0°C up to +50°C
- Electrical overload and temperature rise
- Busable for bus and Can-Open
- High reliability and life cycle
- User friendly plug connection
- Gearbox options
- IP 54, case, convention and without control box
- Robust aluminium case
- Compactly dimension
- Weight 1.3 kg

**Mechanical dimension:**



**Technical data:**

Data EC-48	
Supply	48 VDC +15% -10%
Switch on current	max. 0,5 A
Current consumption	min. 40 mA
Inputpower	up to 180 W
Nom. torque S1-operating	0,65 Nm*
Nom. speed	3000 min <sup>-1</sup>
Peak torque	1,0 Nm
Max. speed	5000 min <sup>-1</sup>
Efficiency	max. 85%
Positioning	$\pm 2^{19}$ revolutions
Solution	4096 increments per revolution
Ambiente temperature	0°C up to 50°C
Reliability	Derating from 85°C

Mechanical data	
Inertia	0,11 kgcm <sup>2</sup>
Protection	IP54
Dimension	124 * 100 * 60 mm
Weight	1,3 kg
Color	RAL 9001 black

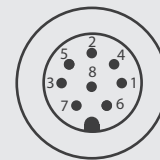
I/O	
Input voltage	24 V DC
digital I/O	each one input and a output
analog input	0..10V

Option	
Fieldbus	CAN_Open DSP402

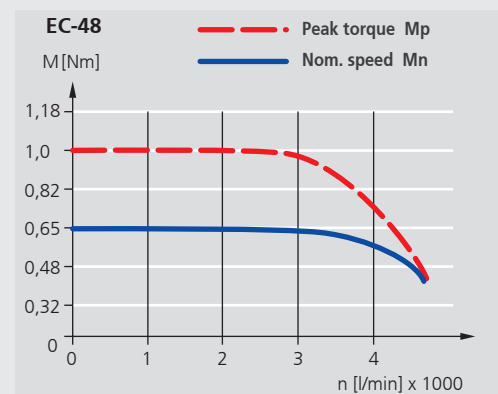
\*performance at 20°C ambient temperatur.  
Subject to change without notice .

**Electrical connections:**

For the electrical connections on the EC-48 is a M16 connectors available.



Pin	Description
1	+24 VDC
2	GND
3	CAN+
4	CAN-
5	Analog In
6	Digital In
7	Digital Out
8	Analog GND



The package is a complete, menu-driven User interface for starting and testing included at the EC-48 servo drive. The software is run on all Windows operating systems.