

EC24 Servo Drive 0,19 Nm

Product information

Servo Drive EC24

The economic and compact servo drive EC24 is designed for S1-mode at 24 VDC.

The electronic and the motor of the servo drive EC24 are integrated in an aluminium case.

A resolver system in the EC24 causes a constant torque from standstill to the max. speed.

Very fast commissioning because of the optimized electronics and drive components.

The application field of the EC24 is for complex tasks in dynamic automation technology as on packaging, handling units etc.

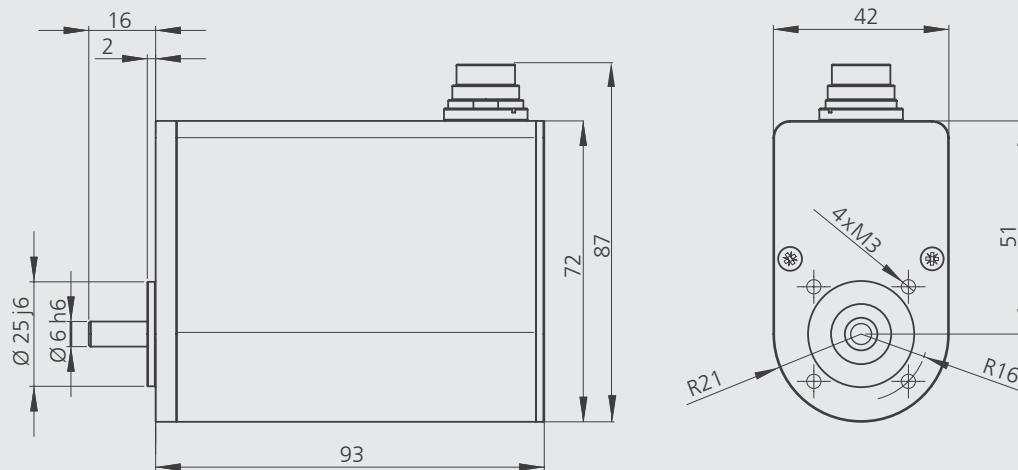
The servo drive is delivered with an CAN Bus interface. Optionally, is a digital and analog I/O.



Performances

- Torque up to 0,19 Nm
- 24 VDC voltage
- Temperature range of 0°C up to +50°C
- Electronical overload and temperature rise
- Busable for bus and Can-Open
- High reliability and life cycle
- User friendly plug connection
- Gearbox options
- IP 54, case, convention and without control box
- Robust aluminium case
- Compactly dimension
- Weight 0.69 kg

Mechanical dimension:



Technical data:

Data EC24	
Supply	24 VDC +15% -10%
Switch on current	max. 0,5 A
Current consumption	min. 80 mA
Inputpower	up to 110 W
Nom. torque S1-operating	0,19 Nm*
Nom. speed	3000 min ⁻¹
Peak torque	0,38 Nm
Max. speed	5000 min ⁻¹
Efficiency	max. 85%
Positioning	±2 ¹⁹ revolutions
Solution	4096 increments per revolution
Ambiente temperature	0°C up to 50°C
Reliability	Derating from 110°C
Mechanical data	
Intertia	0,08 kgcm ²
Protection	IP54
Dimension	93 * 72 * 42 mm
Weight	0,69 kg
Color	RAL 9001 black
I/O	
Input voltage	24 V DC
digital I/O	each one input and a output
analog input	0..10V
Option	
Fieldbus	CAN_Open DSP402

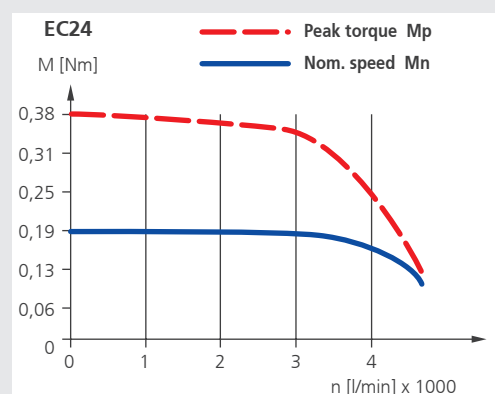
*performance at 20°C ambient temperatur.
Subject to change without notice .

Electrical connections:

For the electrical connections on the EC24 is a M16 connectors available.



Pin	Description
1	+24 VDC
2	GND
3	CAN+
4	CAN-
5	Analog In
6	Digital In
7	Digital Out
8	Analog GND



The package is a complete, menu-driven User interface for starting and testing included at the EC24 servo drive. The software is run on all Windows operating systems.