

IM4075 Servo Drive 0,25 Nm

Product information



Servo Drive IM4075

The economic and compact servo drive IM4075 is designed for S1-mode at 24 V DC.

The electronic and the motor of the servo drive IM4075 are integrated in an aluminium case.

This provides technical and economic benefits in the standalone mode as well as in the decentralized field bus mode.

Very fast commissioning because of the optimized electronics and drive components.

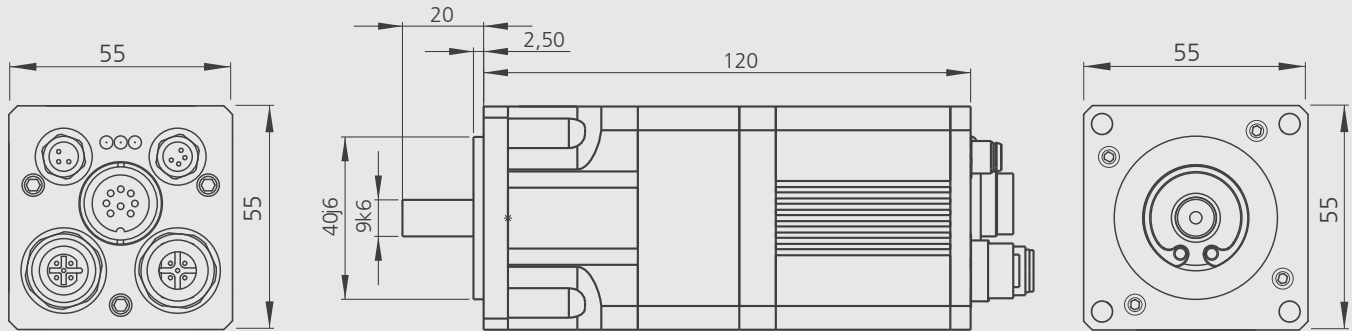
The application field of the IM4075 is for complex tasks in dynamic automation technology as on packaging, handling units etc

The IM4075 servo drive can be equipped with a Fieldbus system. By default, the service interface for the parameterization and the creation of simple processes is included. The servo drive is delivered with an input and an output. Optional, there is a local bus system for digital and analog I/O available.

Performances

- Torque up to 0,25 Nm
- 24V DC voltage
- Temperature range of 0°C up to +50°C
- Electronical overload and temperature rise
- Busable for fieldbus, Profibus, Can-Open and Ethercat
- High reliability and life cycle
- User friendly plug connection
- Gearbox options
- IP 54, case, convention and without control box
- Robust aluminium case
- Compactly dimension
- Optional absolute multturn-encoder
- Optional brake with management
- Weight 0.8 kg

Mechanical dimension:



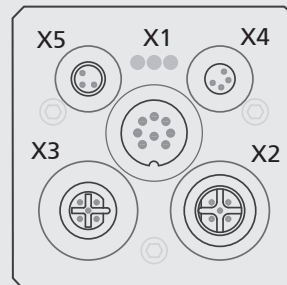
Technical Data:

Data IM 4075	
voltage	24 VDC +15% -10%
switch on current	max. 0,5 A
current consumption	min. 80 mA
inputpower	ca. 100 W nom.
nom. torque	0,25 Nm*
nom. speed	3000 min ⁻¹
peaktorque	0,5 Nm
max. speed	5000 min ⁻¹
efficiency	max. 85%
positioning	±2 ¹⁹ revolutions
solution	4096 increments per revolution
ambient temperature	0°C bis 50°C
reliability	derating up 110°C
Mechanical Data	
inertia	0,08 kgcm ²
protection	IP54
dimension	120 * 55 * 55 mm
weight	0,87 kg
color	RAL 9001 schwarz
option electrical	
local IO Bus	for analog and digital input
digital IO	3 programable IO's
fieldbus	CAN, Profibus, Ethercat
option mechanical	
brake (holding brake)	24 V DC

*performance at 20°C ambient temperatur.
Subject to change without notice.

Electrical connections:

For the electrical connections on the IM4075 are various connectors available.



- X1 = DC supply
- X2 = fieldbus in
- X3 = fieldbus out
- X4 = option
- X5 = serviceinterface

The package is complete, menu-driven User interface for starting and testing included at the IM4075 servo drive. The software is run on all Window operating systems.