

IM-2X10

IM-2X10 Servo drive 0,75 ... 2,6 Nm

Option

| Option | IM-2X10 |
|------------|---|
| Supply | 320 V DC * or 230 V AC |
| Encoder | singleturn or multiturn |
| Fieldbus | without* opt.Profibus, CanBus or Ethercat |
| IO | local Bus or Sensor_IO * |
| Brake | yes or no * |
| Protection | IP54 * oder IP67 |

*standard equipment with no extra charge

Servo drive series IM-2X10

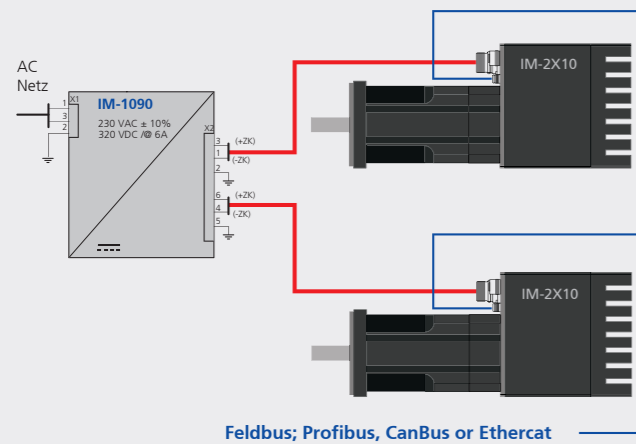
The drives can be obtained with a single- or multiturn-encoder, which have a resolution of 4096 increments per revolution.

Each drive has three free programmable I/Os. Optionally, you can replace them with a local IO bus system.

Each drive can be equipped with a field bus system. There is Can_Bus DS402, Profibus or Ethercat available.

A holding brake with integrated management is procurable for every drive of the IM-2X10 series.

Application



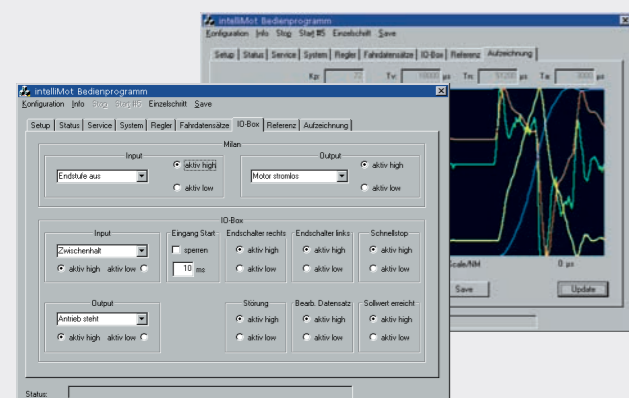
Application of IM-1090 with IM-2X10

In a DC link group several impulses can be connected to an IM-1090 power link modul.

The integrated ballast module in IM-1090 compensates the dynamic energy from the supply composite or destroys it.

There are DC link systems up to 4 kW available. Optionally these impulses can be also pursued directly in 230 V of AC net. With this option, every drive gets a rectifier and a ballast resistor. In general these actuators don't need other filter measures.

Control software



IntelliTool

The supplied menu managed control software is designed for commissioning and test on the servo drive. It includes following features and benefits:

- Input, display and saving of parameters, drive records and status messages,
- Creation of working cycles
- Display of power and speed curves (Monitoring)

Product information

Servo drive series IM-2X10

The compact and intelligent low voltage servo drive IM-2X10 is designed for the S1 mode at a 320V DC voltage or optional 230V DC.

The power amplifier with integrated control electronics, power supply and EMC filters are integrated compactly in this servo drive series.

This provides technical and economical benefits in the standalone mode as well as in the decentralized field bus mode.

The commissioning is very fast because of the aligned electronics and drive components.

The application field of the IM-2X10 is for complex tasks in dynamic automation technology as on packaging, handling units etc.

The IM-2X10 servo drive can be equipped with a fieldbus system. By default, the service interface for the parameterization and the creation of simple processes is included. The servo drive is delivered with an input and an output . Optionally, there is a local bus system for digital and analog I/O available.



Performances

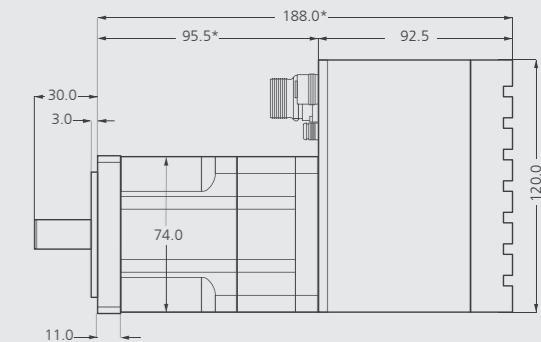
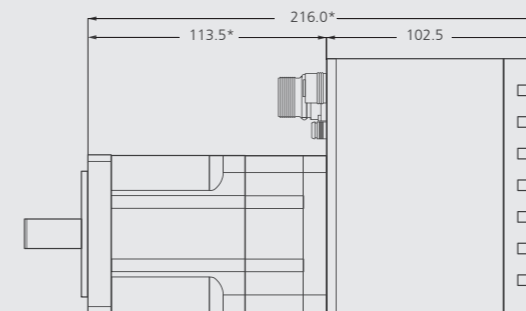
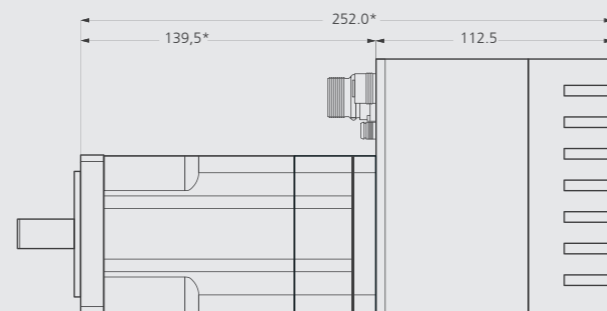
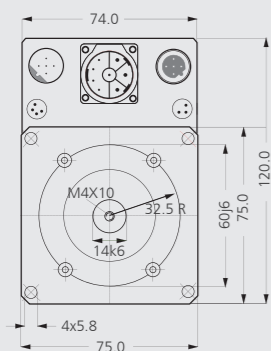
- Low voltage application for 100% S1 handling
- Supply 320VDC, optional 230 VAC
- Torque from 0,75 Nm up to 2,6 Nm
- Temperature range from 0°C up to + 50°C
- Electronical overload and temperature rise protection
- Busable for fieldbus Profibus, Can-Open and Ethercat
- Local I/O Bus for analog and digital I/O
- High reliability and durability
- Integrated speed, position- and torque mode
- Standby for Logicsupply
- IP54 case, convection
- Robust aluminium case
- Compactly dimension
- Optional brake with management
- Optional IP67

Technical data

| general data | | IM - 2X10 |
|-----------------------|--|--|
| voltage | | 320 V DC +15% -10% (Opt. 230 V AC) |
| ambient temperature | | 0°C bis 50°C *1 |
| current consumption | | min. 80 mA |
| solution | | 4096 increments per revolution |
| positioning | | ±2 ¹⁹ revolutions |
| nom.speed | | 3000 min ⁻¹ |
| peaktorque | | 2,0 x nom.torque |
| handling | | S1 - ED=100%*2 |
| specific data | | |
| nom.torque | | 0,75 Nm .. 2,6 Nm |
| inertia | | 0,5 kgcm ² .. 1,1 kgcm ² |
| inputpower | | 240 W .. 820 W |
| switch on current | | 2,6 A |
| length * | | 188 mm .. 252 mm |
| weigh * | | 2,5 kg .. 4,0 kg |
| protection | | IP 54 (Opt. IP 67) |
| color | | black RAL 9005 |
| program memory | | 100 driving set |
| program memory | | RS232C up to 38,4 kBaud |
| electrical option | | |
| local IO Bus | | for analog and digital input |
| digital IO | | three free programmable IO's |
| fieldbus | | Profibus_DP, CAN_Open DSP 402, Ethercat |
| mechanical option | | |
| brake (holding brake) | | 24 VDC I=0,5A m=0,4 kg J=0,122 kgcm ² |

subject to change without notice
 *1 derating up 70°C electronic temperature
 *2 performance at 20°C ambient temperature

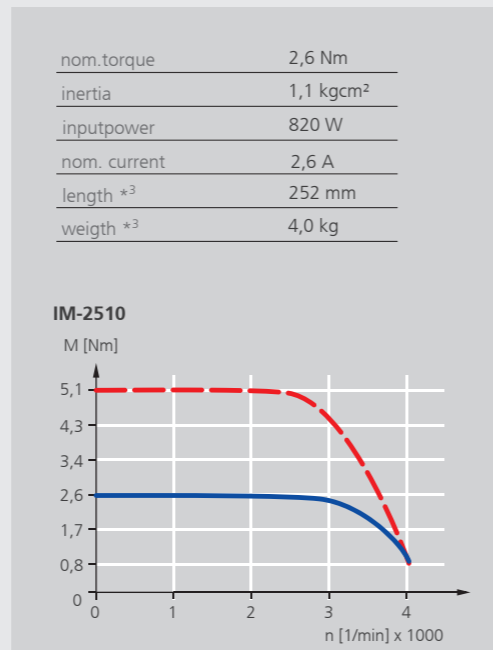
Mechanical dimension



* With Brake: length + 33mm - with multiturnencoders: length +10 mm



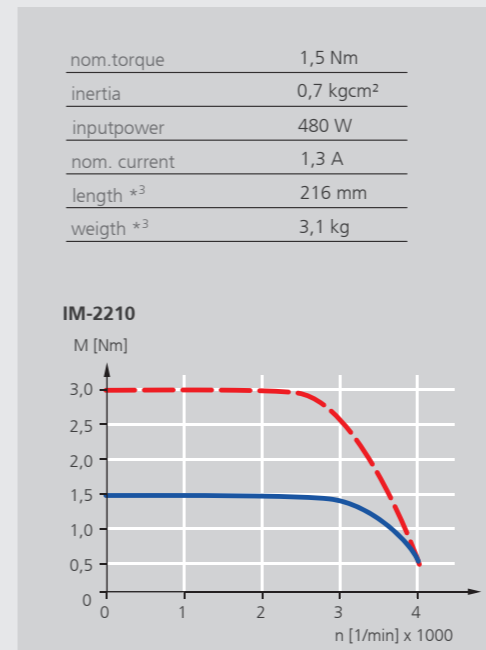
Servo drive 2,6 Nm



--- peak-torque Mp
 — nom-torque Mn



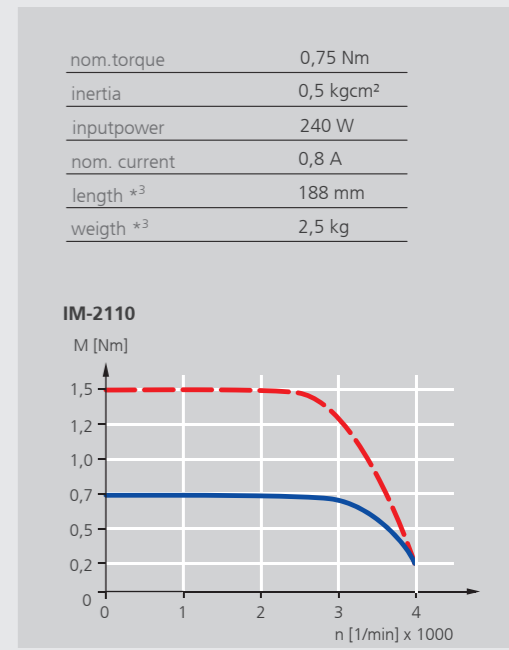
Servo drive 1,5 Nm



*³ with brake: length + 33mm, weight +0,4 kg
 with multienconders: length +10 mm, weight +0,1 kg

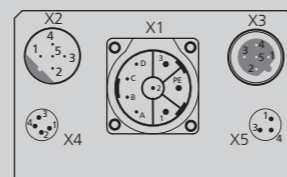


Servoantrieb 0,75 Nm



Connections

X1 = AC / DC supply
 X2 = fieldbus in
 X3 = fieldbus out
 X4 = option
 X5 = serviceinterface



Option

For the series IM-2X10 are the following options available.

2X3 digital IO
1L1 local bus

1P3 profibus DP
1C1 canbus DSP 402
1E1 ethercat

3A0 singleturnencoder
3A1 multiturnencoder

6B21 brake IM-2110
6B22 brake IM-2210
6B25 brake IM-2510

6Z22 AC-Supply IM-2110 / 2210
6Z25 AC-Supply IM-2510